

HOSE REELS

HOSE REELS GENERAL INFORMATION	44
501 SERIES DOUBLE PEDESTAL ARM HOSE REELS	45
502 SERIES INDIVIDUALLY ENCLOSED HOSE REELS	46
504 SERIES DOUBLE PEDESTAL HOSE REELS	47
505 SERIES HIGH CAPACITY HOSE REELS	48
506 SERIES SINGLE ARM HOSE REELS	49
HOSE SPECIFICATIONS	50
COMPACT REELS FOR AIR AND CABLE	51
HOSE REEL MOUNTING ACCESSORIES	52
HOSE REEL KITS	53
SINGLE ARM HOSE REEL KITS	54



Samoa hose reels are used around the world and they have been designed to be premium quality fluid reels. Properly positioned, a hose reel will increase productivity. Safety in the shop is enhanced because hoses are retracted when not in use and so hoses trailing across the floor are eliminated. Hose life is greatly extended since hoses are not dragged across the floor, nor walked upon, nor driven since the hose is always ready at hand and can be retracted out of the way when not in use.

Hose reels can be mounted on wall, ceiling, floor or on top of tanks, benches, etc. Samoa offers a wide range of mounting accessories to help with the installation of an individual reel or a reel bank.



COMPRESSED AIR • WATER • DIESEL • LUBRICANTS • ANTIFREEZE • WINDSHIELD WASH • GREASE • AdBlue

ALL SAMOA REELS HAVE

- Superior power spring life. Special fatigue resistant steel spring guarantees long life and trouble free operation.
- Heavy duty ratchet, with large effective radial latching area for an easier and user-friendly operation.
- Metal arms, enclosures, base and spool are epoxy powder coated for increased wear resistance.
- Samoa only uses high quality hoses, specially formulated for use in hose reels, from established European manufacturers.

ADVANTAGES OF THE USE OF HOSE REELS

- Increased productivity.
- Reduced wear and increased life of hoses.
- Simple hose handling and storage.
- Lower risk of accidents as hose reels contribute to keep hoses out off the floor.
- Work environment improvement.

CODE	HOSE TYPE	APPLICATION
A	SBR synthetic rubber with textile braid	Air and water up to 20 bar
B	EPDM with textile braid	Windshield wash fluid, solvents, and fluids up to 20 bar.
C	SBR synthetic rubber with one steel braid	Hot and cold high pressure water up to 150 °C and 170 bar.
D	NBR synthetic rubber with one steel braid	Oil, air, water and antifreeze up to 100 bar W. P.
E	NBR synthetic rubber with one high density steel braid	Grease up to 350 bar (1/4" i.d.) or 280 bar (3/8" i.d.) W. P.
F	Polyurethane and PVC	Air and water up to 15 bar.

NBR: Nitrile butadiene rubber.

SBR: Styrene butadiene rubber.

EPDM: Ethylene propylene M-class rubber.

Samoa offers a wide range of brackets, racks and stands for mounting hose reels. A properly installed hose reel has an inlet hose to prevent vibration transfer to the reel. A shut off valve is positioned at the inlet hose to allow the isolation of each reel for servicing purposes.

501 SERIES DOUBLE PEDESTAL ARM HOSE REEL

10 M OPEN TYPE HOSE REELS - 501 SERIES

501 200

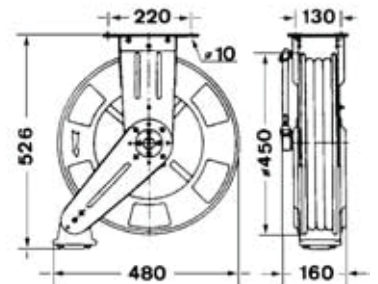


Applications: Delivery of compressed air, low pressure water, lubricants and grease in vehicle maintenance centres, general industry, agriculture, service stations, etc.

Double pedestal hose reel for air, low pressure water, medium pressure lubricants and high pressure grease. All metal arm construction, can handle up to 10 m (30') of 1/2" hose.

Main features:

- Brass forged shaft compatible with a wide range of fluids ensures corrosion free and leak proof operation.
- Robust all steel construction with double pedestal arm design.
- Special fatigue resistant steel spring for years of durable performance.
- Epoxy powder coated for increased wear resistance.
- Positionable outlet arms for an optimum operation in any mounting position: wall, ceiling, floor or tank.
- No special maintenance required.



PART No.	HOSE LENGTH	HOSE DIAMETER NOMINAL - O.D. X I.D.	OUTLET THREAD	INLET THREAD	HOSE TYPE	HOSE PRESSURE RATING	HOSE BURST PRESSURE	NET WEIGHT	WITHOUT HOSE PART No.
COMPRESSED AIR AND LOW PRESSURE WATER									
501 100	10 m - 30'	3/8" - 17 x 10 mm	R 3/8" (M) ²	R 1/2" (M) ²	A	20 bar - 300 psi	45 bar - 650 psi	17.9 Kg	501 198 ¹
OIL, ANTIFREEZE, AIR AND WATER									
501 200	10 m - 30'	1/2" - 18 x 12.5 mm	G 1/2" (F/M) ³	G 1/2" (F/M) ³	D	100 bar - 1,500 psi	400 bar - 6,000 psi	20.0 Kg	501 298 ¹
GREASE									
501 300	10 m - 30'	1/4" - 14 x 6.4 mm	R 1/4" (M) ²	G 1/4" (F/M) ³	E	350 bar - 5,000 psi	1,400 bar - 20,000 psi	19.2 Kg	501 398 ¹

1. Models supplied without hose. Maximum working pressure is the minimum working pressure of the individual components used, normally the hose.

2. Swaged male tapered threads.

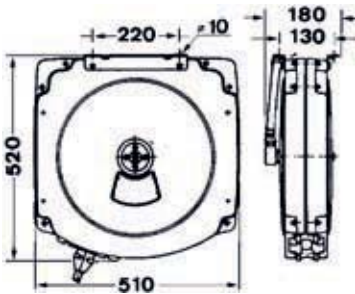
3. Swaged 60° cone nut and 60° double male adapter.

All models with hose include a 0.8 m, 2.5' inlet hose.

502 204

10 AND 13 M INDIVIDUALLY ENCLOSED REELS - 502 SERIES

Applications: Delivery of compressed air, low and high pressure water, medium pressure lubricants and high pressure grease in vehicle maintenance centres, general industry, agriculture, service stations, etc.



Individually enclosed hose reel for air, low and high pressure water, medium pressure lubricants and high pressure grease. All metal construction, can handle up to 10 m (30') of 1/2" or 13 m (43') of 3/8" hose.

Main features:

- Corrosion resistant aluminium shields form an attractive and very rigid structure.
- Brass forged shaft compatible with a wide range of fluids ensures corrosion free and leak proof operation.
- Special fatigue resistant steel spring for years of durable performance.
- Epoxy powder coated for increased wear resistance.
- Positionable mounting brackets for an optimum operation in any mounting position: wall, ceiling, floor or tank.
- No special maintenance required.

PART No.	HOSE LENGTH	HOSE DIAMETER NOMINAL - O.D. X I.D.	OUTLET THREAD	INLET THREAD	HOSE TYPE	HOSE PRESSURE RATING	HOSE BURST PRESSURE	NET WEIGHT	REEL WITHOUT HOSE PART No.
COMPRESSED AIR AND LOW PRESSURE WATER									
502 104	10 m - 30'	3/8" - 17 x 10 mm	R 3/8" (M) ²	R 1/2" (M) ²	A	20 bar - 300 psi	45 bar - 650 psi	20.0 Kg	502 198 ¹
502 101	13 m - 43'	3/8" - 17 x 10 mm	R 3/8" (M) ²	R 1/2" (M) ²	A	20 bar - 300 psi	45 bar - 650 psi	21.0 Kg	502 199 ¹
HOT AND COLD WATER 150 °C - 300 °F MAXIMUM TEMPERATURE									
502 400	10 m - 30'	3/8" - 16 x 10 mm	G 3/8" (M) ³	G 1/2" (M) ³	C	170 bar - 2,500 psi	680 bar - 10,000 psi	21.0 Kg	502 499 ¹
OIL, ANTIFREEZE, AIR AND WATER									
502 204	10 m - 30'	1/2" - 18 x 12.5 mm	G 1/2" (F/M) ³	G 1/2" (F/M) ³	D	100 bar - 1,500 psi	400 bar - 6,000 psi	20.5 Kg	502 298 ¹
502 201	13 m - 43'	3/8" - 16 x 10 mm	G 1/2" (F/M) ³	G 1/2" (F/M) ³	D	100 bar - 1,500 psi	400 bar - 6,000 psi	21.0 Kg	502 299 ¹
GREASE									
502 304	10 m - 30'	1/4" - 14 x 6.4 mm	R 1/4" (M) ²	G 1/4" (F/M) ³	E	350 bar - 5,000 psi	1,400 bar - 20,000 psi	19.5 kg	502 398 ¹
502 301	13 m - 43'	1/4" - 14 x 6.4 mm	R 1/4" (M) ²	G 1/4" (F/M) ³	E	350 bar - 5,000 psi	1,400 bar - 20,000 psi	21.0 Kg	502 399 ¹

1. Models supplied without hose. Maximum working pressure is the minimum working pressure of the individual components used, normally the hose.

2. Swaged male tapered threads.

3. Swaged 60° cone nut and 60° double thread male adapter.

All models with hose include a 0.8 m, 2.5' inlet hose.

504 SERIES DOUBLE PEDESTAL ARM HOSE REEL

15 M OPEN TYPE HOSE REELS - 504 SERIES

504 200

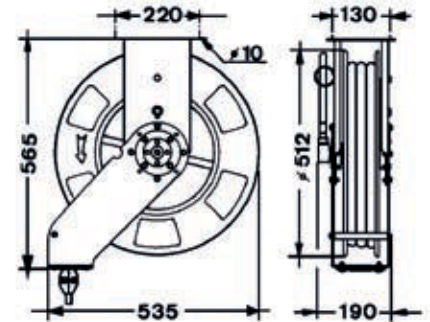
Applications: Delivery of compressed air, low and high pressure water, lubricants and grease in vehicle maintenance centres, field service units and lubrication trucks, mining, construction, general industry, agriculture, service stations, etc.



Heavy Duty reinforced double pedestal hose reel for air, low and high pressure water, medium pressure oil and high pressure grease. All metal construction, can handle up to 15 m (50') of 1/2" hose.

Main features:

- Brass forged shaft compatible with a wide range of fluids ensures corrosion free and leak proof operation.
- Very robust reinforced all steel Heavy Duty construction with double pedestal arm design.
- Special fatigue resistant steel spring for years of durable performance.
- Epoxy powder coated for increased wear resistance.
- Positionable outlet arms for an optimum operation in any mounting position: wall, ceiling, floor or tank.
- No special maintenance required.



PART No.	HOSE LENGTH	HOSE DIAMETER NOMINAL - O.D. X I.D.	OUTLET THREAD	INLET THREAD	HOSE TYPE	HOSE PRESSURE RATING	HOSE BURST PRESSURE	NET WEIGHT	REEL WITHOUT HOSE PART No.
COMPRESSED AIR AND LOW PRESSURE WATER									
504 100	15 m - 50'	1/2" - 20 x 12.5 mm	R 1/2" (M) ²	R 1/2 (M) ²	A	20 bar - 300 psi	45 bar - 650 psi	26.5 kg	504 199 ¹
HOT AND COLD WATER 150 °C - 300 °F MAXIMUM TEMPERATURE									
504 400	15 m - 50'	3/8" - 16 x 10 mm	R 3/8" (M) ³	R 1/2 (F/M) ³	C	170 bar - 2,500 psi	680 - 10,000 psi	25.0 Kg	504 499 ¹
OIL, ANTIFREEZE, AIR AND WATER									
504 200	15 m - 50'	1/2" - 18 x 12.5 mm	R 1/2" (F/M) ³	1/2" (F/M) ³	D	100 bar - 1,500 psi	400 bar - 6,000 psi	28.5 Kg	504 299 ¹
GREASE									
504 300	15 m - 50'	1/4" - 14 x 6.4 mm	R 1/4" (M) ²	G 1/4" (F/M) ³	E	350 bar - 5,000 psi	1,400 bar - 20,000 psi	27.0 Kg	504 399 ¹
504 301	15 m - 50'	3/8" - 17 x 10 mm	R 1/4" (M) ²	G 3/8" (F/M) ³	E	280 bar - 4,000 psi	1,120 bar - 16,000 psi	29.8 Kg	504 399 ¹

1. Models supplied without hose. Maximum working pressure is the minimum working pressure of the individual components used, normally the hose.

2. Swaged male tapered threads.

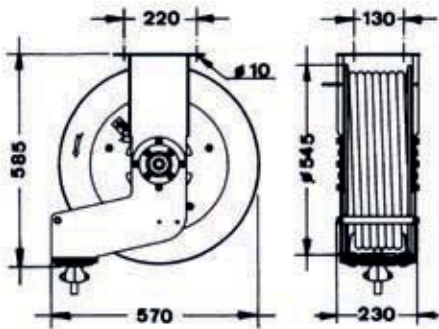
3. Swaged 60° cone nut and 60° double thread male adapter.

All models with hose include a 0.8 m, 2.5' inlet hose.

505 200

505 SERIES - DOUBLE PEDESTAL ARM HOSE REEL

Applications: Delivery of low pressure air, water, AdBlue (DEF), diesel and medium pressure lubricants in vehicle maintenance centres, field service units and lubrication trucks, mining, construction, general industry, agriculture, etc.



Heavy Duty reinforced double pedestal arm hose reel for low pressure air, water and Adblue (DEF) and medium pressure diesel and lubricants. All metal construction, can handle up to 15 m (50') of 3/4" hose or 20 m (65') of 1/2" hose.

Main features:

- Full 3/4" port shaft and swivel for maximum delivery with no flow restriction.
- Very robust reinforced all steel Heavy Duty construction with double pedestal arm design.
- Special fatigue resistant steel spring for years of durable performance.
- Epoxy powder coated for increased wear resistance.
- Positionable outlet arms for an optimum operation in any mounting position: wall, ceiling, floor or tank.
- Model 505 010 has stainless steel shaft and swivel and is compatible with AdBlue (DEF).
- No special maintenance required.

PART No.	HOSE LENGTH	HOSE DIAMETER NOMINAL - O.D. X I.D.	OUTLET THREAD	INLET THREAD	HOSE TYPE	HOSE PRESSURE RATING	HOSE BURST PRESSURE	NET WEIGHT	REEL WITHOUT HOSE PART No.
COMPRESSED AIR, WATER, DIESEL AND LUBRICANTS									
505 200	20 m - 65'	1/2" - 20 x 12 mm	R 1/2" (M) ²	R 1/2 (M) ²	D	100 bar - 1,500 psi	400 bar - 6,000 psi	36 Kg	505 298 ¹
505 201	15 m - 50'	3/4" - 27,7 x 19 mm	R 3/4" (M) ²	R 3/4 (M) ²	D	100 bar - 1,500 psi	400 bar - 6,000 psi	38 Kg	505 299 ¹
AdBlue (DEF)									
505 010 ³	15 m - 3/4"	3/4" max.	model with no hose					33 Kg	505 010

1. Models supplied without hose. Maximum working pressure is the minimum working pressure of the individual components used, normally the hose.

2. Swaged 60° cone nut and 60° double thread male adaptor.

3. Model 505 010 is supplied with no hose.

All models with hose include a 0.8 m, 2.5' inlet hose.

506 SERIES SINGLE ARM HOSE REELS

506 SERIES - SINGLE ALUMINIUM ARM HOSE REEL

506 202

Applications: Delivery of compressed air, low pressure water and fluids; medium pressure lubricants, high pressure hot and cold water and high pressure grease in vehicle maintenance centres, general industry, agriculture, service stations, marine, aviation, etc.



Aluminium and composite material single arm hose reel for air, water, oil, antifreeze, windshield wash fluid, high pressure hot and cold water and grease with hose capacity up to 15 m x 1/2" hose.

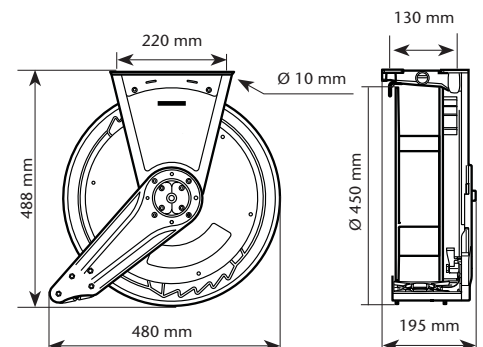
Main features:

- Aluminium base and guide arm provides this reel with the rigidity to withstand even the most demanding applications, whilst offering a reduced weight for easy off installation (hose reel weight with 15 m x 1/2" hose is only 14.9 Kg.)
- Epoxy powder coated aluminium base and arm, composite material spool and stainless steel fasteners provide superb corrosion resistance for working in damp environments.
- Nickel protected shaft and swivel for wear and corrosion resistance and wide fluid compatibility.
- Spool mounted on two permanently lubricated ball bearings for an easy pull out of the hose and better spring performance.
- Large effective radial latching area for easier operation.
- Round 6 roller hose outlet increases hose life, prevents hose pinching and reduces friction.



Single arm design allows easy maintenance: hose replacement and ratchet and swivel inspection can be done without disassembly of the reel.

Additionally, power spring tension can be adjusted on-site with the system under pressure and without the need to use any tool or to remove the hose stop and control valve, regardless of the reel height and mounting position. Spring tension can be increased simply by adding hose loops to the spool and it can be decreased by removing hose loops.



See models and part numbers on page 50

Product specifications are subject to change without prior notice

MODELS AND SPECIFICATIONS

SINGLE ARM REELS 506 SERIES

PART No.	HOSE LENGTH	HOSE DIAMETER NOMINAL - O.D. X I.D.	OUTLET THREAD	INLET THREAD	HOSE TYPE	HOSE PRESSURE RATING	HOSE BURST PRESSURE	NET WEIGHT	REEL WITHOUT HOSE PART No.
COMPRESSED AIR AND LOW PRESSURE WATER									
506 101	10 m - 30'	3/8" - 17 x 10 mm	R 3/8" (M) ¹	R 1/2" (M) ¹	A	20 bar - 300 psi	45 bar - 650 psi	12.1 Kg	506 920
506 121	15 m - 50'	3/8" - 17 x 10 mm	R 3/8" (M) ¹	R 1/2" (M) ¹	A	20 bar - 300 psi	45 bar - 650 psi	14.2 Kg	506 922
506 122	15 m - 50'	1/2" - 20 x 12.5 mm	R 1/2" (M) ¹	R 1/2" (M) ¹	A	20 bar - 300 psi	45 bar - 650 psi	14.9 Kg	506 912
HOT AND COLD WATER (150 °C - 300 °F MAXIMUM TEMPERATURE)									
506 421	15 m - 50'	3/8" - 16 x 10 mm	G 3/8" (F/M) ²	G 3/8" (F/M) ²	C	170 bar - 2,500 psi	680 bar - 10,000 psi	15.1 Kg	506 942
OIL, ANTIFREEZE, AIR AND WATER									
506 202	10 m - 30'	1/2" - 18 x 12.5 mm	G 1/2" (F/M) ²	G 1/2" (F/M) ²	D	100 bar - 1,500 psi	400 bar - 6,000 psi	12.6 Kg	506 920
506 222	15 m - 50'	1/2" - 18 x 12.5 mm	G 1/2" (F/M) ²	G 1/2" (F/M) ²	D	100 bar - 1,500 psi	400 bar - 6,000 psi	14.9 Kg	506 922
506 212	18 m - 60'	1/2" - 18 x 12.5 mm	G 1/2" (F/M) ²	G 1/2" (F/M) ²	D	100 bar - 1,500 psi	400 bar - 6,000 psi	15.7 Kg	506 924
WASTE OIL SUCTION									
506 503	6 m - 20'	5/8" - 23 x 16 mm	G 1/2" (F/M) ²	G 1/2" (F/M) ²	D	100 bar - 1,500 psi	400 bar - 6,000 psi	13.3 Kg	506 950
WINDSHIELD WASHER AND DEGREASERS (STAINLESS STEEL SHAFT AND SWIVEL)									
506 602	10 m - 30'	1/2" - 21 x 12.5 mm	G 1/2" (F/M) ²	G 1/2" (F/M) ²	B	20 bar - 300 psi	80 bar - 1,200 psi	13.0 Kg	506 960
506 622	15 m - 50'	1/2" - 21 x 12.5 mm	G 1/2" (F/M) ²	G 1/2" (F/M) ²	B	20 bar - 300 psi	80 bar - 1,200 psi	15.5 Kg	506 962
GREASE									
506 300	10 m - 30'	1/4" - 14 x 6.4 mm	R 1/4" (M) ¹	G 1/4" (F/M) ²	E	350 bar - 5,000 psi	1,400 bar - 20,000 psi	12.4 Kg	506 930
506 301	10 m - 30'	3/8" - 17 x 10 mm	R 1/4" (M) ¹	G 3/8" (H/M) ²	E	280 bar - 4,000 psi	1,120 bar - 16,000 psi	12.9 Kg	506 934
506 321	15 m - 50'	3/8" - 17 x 10 mm	R 1/4" (M) ¹	G 3/8" (F/M) ²	E	280 bar - 4,000 psi	1,120 bar - 16,000 psi	16.0 Kg	506 936
506 311	18 m - 60'	3/8" - 17 x 10 mm	R 1/4" (M) ¹	G 3/8" (F/M) ²	E	280 bar - 4,000 psi	1,120 bar - 16,000 psi	17.0 Kg	506 935

1. Swaged male tapered threads.
2. Swaged 60° cone nut and 60° double male adaptor.

Models with 18 m - 60' of hose should be used in installations allowing a minimum of 3 m - 10' of fluid hose hanging from the reel, and never with the hose totally coiled inside the reel.

All models with hose include a 0.8 m, 2.5' inlet hose.

HOSE SPECIFICATIONS

Hoses delivered with the hose reels are subject to the following specifications.

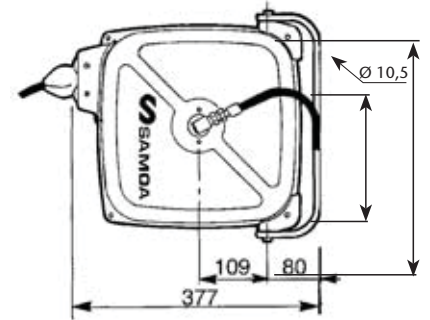
HOSE	SPECIFICATION HOSE TYPE	TEMPERATURE RANGE		HOSE FITTING IN FREE HOSE ENDS		HOSE FITTINGS FOR SHAFT AND SWIVEL CONNECTIONS	
		MIN.	MAX.	DISTRIBUTION HOSE	INLET HOSE	DISTRIBUTION HOSE SWIVEL CONNECTION	INLET HOSE SHAFT CONNECTION
A	Synthetic rubber (SBR). Synthetic textile braid.	-35 °C	+70 °C	Male BSPT, zinc plated steel.	Male BSPT, zinc plated steel.	Swept elbow female BSP 60° cone, zinc plated steel.	Swept elbow female BSP 60° cone, zinc plated steel.
B	EPDM. Synthetic textile braid.	-40 °C	+ 95 °C	Stainless steel female BSP 60° cone and male BSP 60° cone adaptor.	Stainless steel female BSP 60° cone and male BSP 60° cone adaptor.	Stainless steel swept elbow female BSP 60° cone adaptor.	Stainless steel swept elbow female BSP 60° cone adaptor.
C	Synthetic rubber (SBR). One steel braid.	-40 °C	+150 °C	Female BSP 60° cone and male BSP 60° cone adaptor, zinc plated steel.	Female BSP 60° cone and male BSP 60° cone adaptor, zinc plated steel.	Swept elbow female BSP 60° cone, zinc plated steel.	Swept elbow female BSP 60° cone, zinc plated steel.
D	Nitrile rubber (NBR). One steel braid.	-40 °C	+100 °C	Female BSP 60° cone and male BSP 60° cone adaptor, zinc plated steel.	Female BSP 60° cone and male BSP 60° cone adaptor, zinc plated steel.	Swept elbow female BSP 60° cone, zinc plated steel.	Swept elbow female BSP 60° cone, zinc plated steel.
E	Nitrile rubber (NBR). One high density steel braid.	-40 °C	+100 °C	Male BSPT, zinc plated steel.	Female BSP 60° cone and male BSP 60° cone adaptor, zinc plated steel.	Swept elbow female BSP 60° cone, zinc plated steel.	Swept elbow female BSP 60° cone, zinc plated steel.

NBR: Nitrile butadiene rubber.
SBR: Styrene butadiene rubber.
EPDM: Ethylene propylene diene M-class rubber.

COMPACT REELS FOR AIR AND CABLE

COMPACT REELS FOR AIR

500 115



Compact enclosed reels for air, manufactured in steel. All reels include pivoting wall bracket for an easy and convenient installation. Reels include polyurethane and PVC hose with a maximum working pressure of 15 bar (285 psi)

500 115 Compact hose reel for air 15 m x 8 mm hose

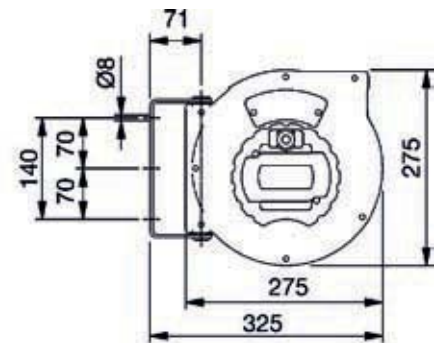
Compact reel for air and water with 15 m x 8 mm hose. Includes 0.8 m inlet hose and pivoting bracket. Inlet thread: 3/8" BSP (M). Outlet thread: 1/4" BSP (M).

500 116 Compact hose reel for air 12 m x 10 mm hose

Compact reel for air and water with 12 m x 10 mm hose. Includes 0.8 m inlet hose and pivoting bracket. Inlet thread: 3/8" BSP (M). Outlet thread: 3/8" BSP (M).

CABLE REELS

612 100 - 612 300



Compact reels with high resistance thermoplastic enclosure. Compact design, with wide outlet for a comfortable friction free cable extension. All reels include pivoting bracket, cable specified for each model, and cable overload breaker.

For use with 220 V – 50 Hz only.

612 100 - 220 V, 50 Hz cable reel

Includes 15 m H05VV-F 3x1.5 mm² cable, 230 V – 50 Hz. Maximum power: 800 W with the cable coiled and 2000 W with the cable fully extended.

612 200 - 220 V, 50 Hz cable reel with 230 V AC to 24 V DC transformer

Includes 15 m H05VV-F 2x1 mm² cable. Maximum power: 60 W Includes a 220 V AC to 24 V DC transformer, for use with an E27 24 V – DC lamp (lamp not included).

612 300 - 220 V, 50 Hz cable reel with 220 V AC to 12 V DC transformer

Includes 15 m H05VV-F 2x1 mm² cable. Maximum power: 60 W Includes a 220 V AC to 12 V DC transformer, for use with an E27 12 V – DC lamp (inspection lamp included, bulb not included).

* Brackets and stands, include the required nuts, bolts and washers for mounting the hose reels on to them.

WALL, CEILING AND FLOOR MOUNTING ACCESSORIES


**360 119
FAST MOUNT
BRACKET***

Facilitates mounting one reel to a wall or ceiling. Use with any Samoa reel.


**360 111
PIVOTING WALL
MOUNT BRACKET***

For open type hose reels (501 and 504 series) and individually enclosed reels (502 series).


**360 121
PIVOTING WALL
MOUNT BRACKET***

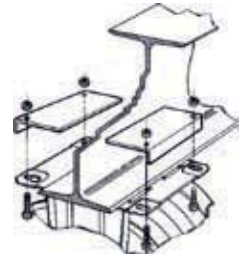
For single arm hose reels (506 series).


**HOSE REEL BRACKETS FOR 200 LITRE
TROLLEYS**

To mount hose reels to trolleys. 432 814 and 432 000.

360 113 For trolley 432 814

360 135 For trolley 432 000


**360 116
HOSE REEL BEAM
BRACKET***

To hang an open reel 501 or 504 series or an enclosed reel 502 series from an "I" beam with flange width from 100 to 175 mm. Nuts and bolts included.


**WALL AND CEILING MOUNTING
ACCESSORIES**
REEL MOUNTING CHANNELS*

For mounting a reel bank to the ceiling or wall.

360 114 For mounting a two reel bank. 550 x 308 mm.

360 115 For mounting a three reel bank. 825 x 308 mm.

360 117 For mounting a five reel bank. 1.375 x 308 mm.

360 118 Secures a reel bank bracket to an I-beam (minimum /maximum I-beam width; 100 / 175 mm) without drilling. Two brackets are required for the two and three reel bank channels and three brackets are required when mounting the five reel bank channel.


**FLOOR MOUNTING ACCESSORIES
REEL STANDS***

360 160 Six reel stand. Allows mounting up to six reels in a bank. Its use is recommended when it is not desired, or possible to hang reels from the ceiling. Ideal for service in two lubrication bays simultaneously.

Dimensions: Height: 2,500 mm, length: 1,640 mm, width: 700 mm.

Includes paper roll support, waste basket, two perforated panels, writing desk, drip collector tray and two drawers with lock.

360 163 Five reel stand. For mounting up to a five reel bank between two lubrication bays.

Dimensions: Height: 2,215 mm, length: 1,550 mm, width: 450 mm.

360 162 Three reel stand. For mounting up to a three reel bank between two lubrication bays.

Dimensions: Height: 2,400 mm, length: 1,200 mm, width: 310 mm.

360 161 Two reel stand. Height: 2,374 mm.

Other stands available on request.

360 127 - 360 122 - 360 126

GUN HOLDERS AND DRIP POCKETS


**360 122, Wall mounted drip pocket
360 127, Wall mounted drip pocket and gun holder
360 126, Gun holder for hose reels**

HOSE REEL KITS

INDIVIDUALLY ENCLOSED HOSE REEL KITS - 502 SERIES

PART No.	HOSE REEL INCLUDED	CONTROL GUN
COMPRESSED AIR		
512 102	502 100	AIR COUPLING
512 103	502 101	AIR COUPLING
LOW PRESSURE WATER		
512 150	502 100	LOW PRESSURE WATER GUN
512 151	502 101	LOW PRESSURE WATER GUN
OIL, ANTIFREEZE		
512 200	502 200	OIL CONTROL GUN (363 077)
512 255	502 200	HOSE END METER (365 603)
512 252	502 200	PRESET HOSE END METER (365 300)
GREASE		
512 300	502 300	GREASE CONTROL GUN 413 080



512 252

10 M OPEN TYPE HOSE REEL KITS - 501 SERIES

PART No.	HOSE REEL INCLUDED	CONTROL GUN
COMPRESSED AIR		
511 101	501 100	AIR COUPLING
LOW PRESSURE WATER		
511 150	501 200	LOW PRESSURE WATER GUN
OIL, ANTIFREEZE		
511 200	501 200	OIL CONTROL GUN (363 077)
511 255	501 200	HOSE END METER (365 603)
511 252	501 200	PRESET HOSE END METER (365 300)
GREASE		
511 300	501 300	GREASE CONTROL GUN WITH Z SWIVEL (413 080)



511 255

15 M OPEN TYPE HOSE REEL KITS - 504 SERIES

PART No.	HOSE REEL INCLUDED	CONTROL GUN
COMPRESSED AIR		
513 154	504 100	AIR COUPLING
LOW PRESSURE WATER		
513 154	504 100	LOW PRESSURE WATER GUN
OIL, ANTIFREEZE		
513 155	504 200	OIL CONTROL GUN (363 079)
513 248	504 200	HOSE END METER (365 603)
513 259	504 200	PRESET HOSE END METER (365 300)
GREASE		
513 350	504 300	GREASE CONTROL GUN WITH Z SWIVEL (413 080)



513 259

HIGH CAPACITY HOSE REEL KITS - 505 SERIES

PART No.	HOSE REEL INCLUDED	CONTROL GUN
OIL		
515 216	505 200	OIL CONTROL GUN (363 079)
515 214	505 200	HOSE END METER (365 603)
515 215	505 200	PRESET HOSE END METER (365 300)
OIL, DIESEL		
515 210	505 201	HOSE END METER (365 603)
515 201	505 201	HIGH DELIVERY HOSE END METER (365 652)
515 213	505 201	PRESET HOSE END METER (365 300)



515 201

SINGLE ARM HOSE REEL KITS

PART No.	HOSE REEL INCLUDED	HOSE	CONTROL GUN
COMPRESSED AIR			
516 101	506 101	10 m x 3/8"	Air coupling control gun
516 121	506 121	15 m x 3/8"	Air coupling control gun
516 122	506 122	15 m x 1/2"	Air coupling control gun
LOW PRESSURE WATER			
516 150	506 101	10 m x 3/8"	Low pressure water gun
516 151	506 122	15 m x 3/8"	Low pressure water gun
516 152	506 122	15 m x 1/2"	Low pressure water gun
OIL			
516 202	506 202	10 m x 1/2"	Oil control gun 363 078
516 242	506 202	10 m x 1/2"	Hose end meter 365 603
516 252	506 202	10 m x 1/2"	Preset hose end meter
516 222	506 222	15 m x 1/2"	Oil control gun 363 078
516 272	506 222	15 m x 1/2"	Hose end meter 365 603
516 282	506 222	15 m x 1/2"	Preset hose end meter
516 212	506 212	18 m x 1/2"	Oil control gun 363 078
516 213	506 212	18 m x 1/2"	Hose end meter 365 603
516 214	506 212	18 m x 1/2"	Preset hose end meter
ANTIFREEZE, AIR AND WATER			
516 262	506 202	10 m x 1/2"	Fluid control gun 186 300
516 292	506 222	15 m x 1/2"	Fluid control gun 186 300
516 215	506 212	18 m x 1/2"	Fluid control gun 186 300
WINDSHIELD WASHER AND DEGREASERS (STAINLESS STEEL SHAFT AND SWIVEL)			
516 602	506 602	10 m x 1/2"	Fluid control gun 186 300
516 622	506 622	15 m x 1/2"	Fluid control gun 186 300
GREASE			
516 300	506 300	10 m x 1/4"	Grease control gun 413 080
516 321	506 321	15 m x 3/8"	Grease control gun 413 080



516 202



516 300