

MOBILE GREASE UNITS WITH PUMPMASTER 3 PUMPS	72
MOBILE GREASE UNITS FOR DRUMS WITH PUMPMASTER 3+3 PUMPS	75
MOBILE EXTRUSION UNITS	77
SELF CONTAINED OIL DISPENSERS.	78
MOBILE UNITS OIL DISPENSER	80
MOBILE DISPENSERS FOR OTHER SERVICE FLUIDS	81
DRUM TROLLEYS	82



MOBILE AND PORTABLE EQUIPMENT IS A SIMPLE AND COST EFFECTIVE SOLUTION FOR TRANSFERRING AND DISPENSING LOW CONSUMPTION LUBRICANTS OR IN SITUATIONS WHERE THERE IS NO AVAILABLE SERVICE CENTRE.

424 172.030

424 152

424 172


PUMP MASTER 3 MOBILE AIR OPERATED GREASERS
424 172.030 PM3 air operated greaser with drum trolley with base, for 20 kg pails
Includes:

- 404 100: Pump Master 3 – 55:1 pressure ratio grease pump, h=410 mm with bung adaptor.
- 418 002: 330 mm drum cover for 20 kg grease containers.
- 741 602: Carrying handle
- 412 102: 2 m x 1/4" high pressure grease hose.
- 413 080: High pressure grease control gun with z swivel.
- 431 001: Two wheel trolley with base.

424 170.030 PM3 air operated greaser with drum trolley with base for 12.5 to 18 kg pails

As model 424 172.030, but includes 310 mm drum cover (PN 418 013) instead of 330 mm drum cover (PN 418 002).

424 152 PM3 air operated greaser with drum cart, for 20 kg pails

As model 424 170.030, but includes two wheel cart (PN 430 000) instead of trolley with base (PN 431 001).

424 150 PM3 air operated greaser with drum cart, for 12.5 to 18 kg pails

As model 424 172.030, but includes 310 mm drum cover (PN 418 013) instead of 330 mm drum cover (PN 418 002) and includes two wheel cart (PN 430 000) instead of trolley with base (PN 431 001).

**PUMP MASTER 3 PORTABLE
AIR OPERATED GREASERS**
424 172 PM3 air operated greaser, for 20 kg pails
Includes:

- 404 100: Pump Master 3 – 55:1 pressure ratio grease pump, h=410 mm with bung adaptor.
- 418 002: 330 mm drum cover for 20 kg grease containers.
- 741 602: Carrying handle.
- 412 102: 2 m x 1/4" high pressure grease hose.
- 413 080: High pressure grease control gun with z-swivel.

424 170 PM3 air operated greaser, for 12.5 to 18 kg pails

As model 424 172, but includes 310 mm drum cover (PN 418 013) instead of 330 mm drum cover (PN 418 002).

Not included options:

- **417 001:** Follower plate 298 - 260 mm. For 12.5 and 18 kg pails.
- **417 005:** Follower plate 340 - 300 mm. For 20 kg pails.
- **411 100:** In-line grease meter for grease control gun.

425 290

425150



Follower plate is an option.

**PUMP MASTER 3 PORTABLE
AIR OPERATED GREASER**

**425 290 PM3 air operated greaser, for
50 kg drums**

Includes:

- 407 200: Pump Master 3 - 55:1 pressure ratio grease pump, h=720 mm with bung adaptor.
- 418 004: 405 mm drum cover for 50 kg grease drums.
- 412 102: 2 m x 1/4" high pressure grease hose.
- 413 080: High pressure grease control gun with z-swivel.
- 430 000: Two wheel cart.



Follower plate is an option.

PUMPMASTER 3 MOBILE AIR OPERATED GREASER

425 150 PM3 air operated greaser with drum trolley with base, for 50 kg drums

Includes:

- 407 200: Pump Master 3 – 55:1 pressure ratio grease pump, h=725 mm with bung adaptor.
- 418 004: 405 mm drum cover for 50 kg grease drums.
- 412 103: 3 m x 1/4" high pressure grease hose.
- 413 080: High pressure grease control gun with z- swivel.
- 431 000: Four wheel trolley with base.

425 150.006 PM3 air operated greaser with drum trolley with base for 50 kg drums

Same as model 425 150 but with 6 m grease hose instead of 3 m.

Not included options:

- 417 003:** Follower plate 405 – 360 mm. For 50 kg large diameter drums.
- 417 002:** Follower plate 370 – 330 mm. For 50 kg standard diameter drums.
- 411 100:** In line grease meter for grease control gun.

428 243

428 200


**PUMPMASTER 3 MOBILE
AIR OPERATED GREASER - 180 kg**
**428 243 PM3 mobile air operated greaser,
for 180 kg drums**
Includes:

- 409 200: PumpMaster 3 - 55:1 pressure ratio grease pump, h= 920 mm with bung adaptor.
- 418 006: 610 mm drum cover for 180 kg drums.
- 417 004: 590 - 550 mm follower plate for 180 kg drums.
- 412 104: 4 m x 1/4" high pressure hose.
- 413 080: High pressure grease control gun with z-swivel.
- 432 000: 180 kg drum trolley.

PUMPMASTER 3 MOBILE AIR OPERATED GREASER WITH HOSE REEL - 180 kg
428 200 PM3 mobile air operated greaser with hose reel, for 180 kg drums
Includes:

- 409 200: PumpMaster 3 - 55:1 pressure ratio grease pump, h= 920 mm with bung adaptor.
- 418 006: 610 mm drum cover for 180 kg drums.
- 417 004: 590 - 550 mm follower plate for 180 kg drums.
- 412 190: 1,5 m x 1/4" high pressure hose.
- 501 300: Open type hose reel with 10 m x 1/4" hose.
- 413 080: High pressure grease control gun with z-swivel.
- 432 814: 180 kg heavy duty drum trolley.
- 360 113: Hose reel bracket for trolley (PN 432 814).

Not included options:

- 411 100: In line grease meter for grease control gun.

423 150

426 243

426 200



Follower plate is an option.

**PUMPMASTER 3+3 MOBILE
AIR OPERATED GREASER - 50 kg**

423 150 PM3+3 mobile air operated greaser, for 50 kg drum

Includes:

- 402 000: PumpMaster 3+3 - 60:1 pressure ratio pump grease pump, h= 730 mm with bung adaptor.
- 418 004: 405 mm drum cover for 50 kg drums.
- 412 103: 3 m x 1/4" high pressure hose.
- 431 000: Four wheel trolley with base.
- 413 080: High pressure grease control gun with z-swivel.
- 945 591: 3/8" BSP (M)x 1/4" BSP (M) connection adapter.

Not included options:

- **417 003:** Follower plate 405 – 360 mm. For large diameter 50 kg drums.
- **417 002:** Follower plate 370 – 330 mm. For standard diameter 50 kg drums.
- **411 100:** In line grease meter for grease control gun.

**PUMPMASTER 3+3 MOBILE
AIR OPERATED GREASER - 180 kg**

426 243 PM3+3 mobile air operated greaser, for 180 kg drum

Includes:

- 402 025: PumpMaster 3+3 - 60:1 grease pump, h= 925 mm with bung adaptor.
- 418 006: 610 mm drum cover for 180 kg drums.
- 417 004: 590 - 550 mm follower plate for 180 kg drums.
- 412 104: 4 m x 1/4" high pressure hose.
- 413 080: High pressure grease control gun with "Z" swivel.
- 432 000: 180 kg drum trolley.
- 945 591: 3/8" BSP (M) x 1/4" BSP (M) connection adapter.

Not included options:

- **411 100:** In line grease meter for grease control gun.

**PUMPMASTER 3+3 MOBILE AIR
OPERATED GREASER WITH HOSE REEL**

426 200 PM3+3 mobile air operated greaser with hose reel, for 180 kg drum

Includes:

- 402 025: PumpMaster 3+3 - 60:1 grease pump, h= 925 mm with bung adaptor.
- 418 006: 610 mm drum cover for 180 kg drums.
- 417 004: 590 - 550 mm follower plate for 180 kg drums.
- 412 392: 1,5 m x 3/8" high pressure hose.
- 504 301: Open type hose reel with 15 m x 3/8" hose.
- 413 080: High pressure grease control gun with "Z" swivel.
- 432 814: 180 kg drum heavy duty trolley.
- 360 113: Hose reel bracket for trolley (PN 432 814).
- 945 592: 3/8" BSP (MM) connection adapter.

482 200



PUMP MASTER 3 MOBILE AIR OPERATED GREASERS – SHIELDED

Pump Master 3 – 55:1 pressure ratio grease pump fixed on top of a protective shield. Models available for use with up to 20 kg and 50 kg drums placed inside the shield.

482 200 PM3 mobile air operated greaser shielded, for up to pails 20 kg

Includes:

- 404 100: Pump Master 3 – 55:1 pressure ratio grease pump.
- 480 021: Protective cabinet with 4 castors.
- 412 102: 2 m x 1/4" high pressure hose.
- 413 080: Grease control gun with "Z" swivel.

482 500 PM3 mobile air operated greaser shielded, for 50 kg drums

Similar to model 482 200, but for 50 kg drums. Includes PM3 – 55:1 pressure ratio grease pump, (PN 407 200), protective cabinet with two wheels, two castors and handle, for 50 kg drum (480 050) and 3 m x 1/4" high pressure grease hose (PN 412 103).

MOBILE GREASE UNITS WITH PUMPMASTER 3 AND PUMPMASTER 3+3 PUMPS

486 500



PUMP MASTER 3+3 MOBILE AIR OPERATED GREASERS – SHIELDED

Pump Master 3+3 – 60:1 pressure ratio grease pump fixed on top of a protective shield. Models available for use with up to 20 kg and 50 kg drums placed inside the shield.

486 200 PM3+3 mobile air operated greaser shielded, for up to 20 kg pails

Includes:

- 402 050: Pump Master 3+3 – 60:1 pressure ratio grease pump.
- 480 021: Protective cabinet with 4 castors.
- 412 102: 2 m x 1/4" high pressure hose
- 413 080: Grease control gun with "Z" swivel.
- 945 591: 3/8" BSP(M) x 1/4" BSP(F) connection adapter.

486 500 PM3+3 mobile air operated greaser shielded, for 50 kg drums

Similar to model 486 200, for 50 kg drums. Includes PM3+3 – 60:1 pressure ratio grease pump (PN 402 000), protective cabinet with two wheels, two castors and handle, for 50 kg drum (480 050) and 3 m x 1/4" high pressure grease hose (PN 412 103).

Not included options

- 417 001:** Follower plate Ø 290 – 260 mm for 12.5 to 18 kg pails.
- 417 005:** Follower plate Ø 330 – 300 mm for 20 kg pails.
- 417 002:** Follower plate Ø 370 – 330 mm for 50 kg large diameter drums.
- 417 003:** Follower plate Ø 390 – 360 mm for 50 kg standard diameter drums.
- 411 100:** In-line grease meter for control gun.

MOBILE EXTRUSION UNITS 12 TO 20 kg PAILS

MOBILE EXTRUSION UNIT FOR 12 – 20 kg PAILS

424 060

Mobile unit specially designed for use with hard to pump sticky grease, high viscosity grease (NLGI 3) and sealant.

The pump's lower end is attached to an inductor plate and the pump is mounted to a pneumatic piston that elevates the pump for replacing an empty drum. The pneumatic piston also acts when the pump is in use, pushing the pump and forcing it into the grease container, aiding the pump prime. This makes possible to pump very high viscosity fluids.

It can be used with 12 to 20 kg pails, minimum internal diameter 260 mm, maximum internal diameter 298 mm) with a maximum height of 370 mm.

The unit includes a 60:1 pressure ratio PumpMaster 3+3 grease pump and it is mounted on a rolling base with 4 wheels, two of them with brake. The pump includes 3 m high pressure hose and a grease control gun with z- swivel and hydraulic connector (PN 413 080).

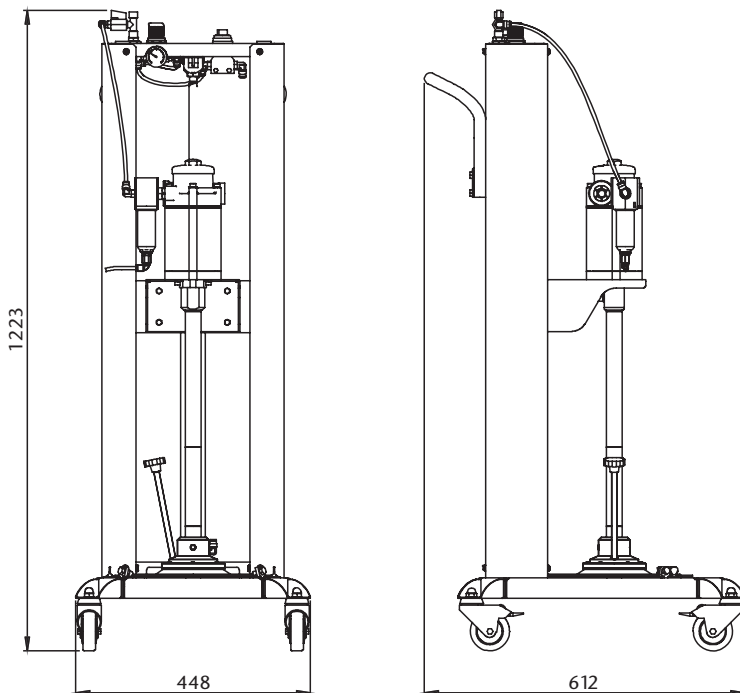
The air cylinder is controlled with a valve located on the top of the inductor post and includes a pressure regulator to adjust the downward pressure.

424 060 Mobile extrusion unit

Includes 3 m high pressure hose and a grease control gun with z-swivel and hydraulic nozzle.

424 061 Mobile extrusion unit

As 424 060, but without delivery hose and control gun and nozzle.



Air filter and regulator (PN 240 500) is non-included option.

324 000

325 000

327 020



PRESSURIZED LUBRICANT DISPENSERS 25 LITRES

324 010 Pressurized lubricant dispenser, with meter, 25 litres

Mobile unit for dispensing viscous lubricants, with 25 l (6.6 US gallon) steel container and level gauge. The unit must be pressurized using a tyre inflator (max pressure 7 bar - 100 psi, safety valve included). Supplied with a 1.5 m delivery hose and oil control gun, digital electronic hose end meter, with flexible outlet and manual non-drip nozzle.

324 000 Pressurized lubricant dispenser, 25 litres

As model 324 010, but without meter.



HAND OPERATED LUBRICANT DISPENSERS 25 LITRES

325 010 Hand operated lubricant dispenser with meter, 25 litres

Self contained unit with a 25 l (6.6 US gallon) container with level gauge. Unit includes a lever action pump, digital electronic oil meter at the pump outlet and 1.5 m delivery hose with valve and 135° angled nozzle.

325 000 Hand operated lubricant dispenser, 25 litres

A model 325 010, but without meter.



AIR OPERATED LUBRICANT DISPENSERS 25 LITRES

327 020 Air operated lubricant dispenser with meter, 25 litres

Self contained unit with a 25 l (6.6 US gallon) container with level gauge. Unit includes an air operated 2:1 pressure ratio pump, specially designed for dispensing high viscosity lubricants. Oil meter with digital electronic meter at the pump outlet and 1.5 m delivery hose with oil control gun with 110° angled outlet with manual non drip nozzle.

SELF CONTAINED OIL DISPENSERS 70 LITRES AND MOBILE UNITS FOR 50 LITRES DRUMS

326 000

328 010

370 400


HAND OPERATED LUBRICANT DISPENSERS 70 LITRES
326 010 Hand operated lubricant dispenser with meter, 70 litres

Self contained unit with a 70 l (17 US gallon) container with level gauge. Unit includes a lever action pump, oil meter with digital electronic meter at the pump outlet and 1,5 m delivery hose with valve and 135° angled nozzle.

326 000 Hand operated lubricant dispenser, 70 litres

Same as model 326 010, but without meter.

328 010 Air operated lubricant dispenser with meter, 70 litres

Self contained unit with a 70 l (17 gallons) container with level gauge. Unit includes an air operated 3:1 pressure ratio pump for dispensing all types of lubricants, 3 m delivery hose and hose end meter with semi automatic non drip nozzle.

MOBILE OIL DISPENSERS FOR 50 LITRE DRUMS
370 400 Mobile oil dispenser for 50 litre drums with hose end meter
Includes:

- 358 120: 3:1 pressure ratio oil pump.
- 418 010: 405 mm drum cover with two bung openings.
- 362 103: 3 m oil hose.
- 431 000: 4 wheeled drum trolley for 50 litre (13.16 US gallon) drums.
- 365 603: Hose end meter.

370 500 Mobile oil dispenser for 50 litre drums

Same as model 363 081 but without meter.

376 300

376 610

378 110



MOBILE OIL DISPENSERS FOR 200 LITRE DRUMS WITH LONG PUMP

376 300 Mobile oil dispensers for 200 litre drums

Includes:

- 354 120: 3:1 pressure ratio oil pump for 200 l drums.
- 362 103: 3 m x 1/2" oil hose.
- 365 603: Hose end meter with semi automatic non drip nozzle.
- 432 000: 200 l drum trolley.

MOBILE OIL DISPENSERS FOR 200 LITRE DRUMS

376 610 Mobile oil dispensers for 200 litre drums

The pump mounted on the trolley makes replacing empty drums easier.

Includes:

- 353 120: 3:1 pressure ratio oil pump.
- 360 102: Wall pump bracket.
- 367 011: Suction hose for 200 l drums.
- 362 103: 3 m x 1/2" oil hose .
- 365 603: Hose end meter with semi automatic non drip nozzle.
- 432 814: 200 l drum heavy duty trolley.

MOBILE OIL DISPENSERS FOR 200 LITRE DRUMS WITH HOSE REEL

378 110 Mobile oil dispensers for 200 litre drums with hose reel

The pump mounted on the trolley makes replacing empty drums easier.

Includes:

- 353 120: 3:1 pressure ratio oil pump.
- 360 102: Wall pump bracket.
- 367 011: Suction hose for 200 l drums.
- 502 204: 8 m x 1/2" enclosed hose reel.
- 360 113: Hose reel bracket for trolleys.
- 365 603: Hose end meter with semi automatic non drip nozzle.
- 432 814: 200 l drum heavy duty trolley.

557 011

376 750



MOBILE DISPENSERS WITH DIAPHRAGM PUMP

557 011 Mobile metered fluid dispenser with diaphragm pump for 200 litre drums

Mobile unit for dispensing antifreeze and windshield wash fluids and solutions using a DirectFlo DF50 air operated diaphragm pump with Delrin wetted parts and balls and Hytrel diaphragms. For use with antifreeze, transmission fluid, windshield wash and solvents.

Includes:

- 552 016: DF50 diaphragm pump with Delrin wetted parts and balls and Hytrel diaphragms.
- 367 011: Suction hose for drums.
- 362 103: 3 m x 1/2" delivery hose.
- 360 100: Pump bracket.
- 365 675: Hose end meter.
- 432 000: 200 l drum trolley.
- 360 134: Pump bracket.
- 367 011: Suction hose for 200 l drum.
- 945 554: 3/4"-1/2" BSP (MM) connection adaptor.

557 012 Mobile dispenser with diaphragm pump for 200 litre drums

As model 557 011, but includes non-metered fluid gun (PN 186 300) instead of hose end meter (PN 365 675).

MOBILE DISPENSERS WITH PISTON PUMP

376 750 Mobile metered fluid dispenser with piston pump for 200 litre drums

Mobile unit for dispensing solutions using a nickel coated 1:1 pressure ratio piston pump mounted on top of a 200 l drum.

Includes:

- 601 202: Pump Master 2 nickel coated pump, 1:1 pressure ratio.
- 733 218: PVC suction tube.
- 945 554: M 3/4" x M 1/2" connection adaptor.
- 362 103: 3 m x 1/2" delivery hose.
- 365 603: Hose end meter.
- 432 000: 200 l drum trolley.
- 360 134: pump bracket.

376 751 Mobile dispenser with piston pump for 200 l drums

As model 376 750, but includes non-metered fluid gun (PN 186 300) instead of hose end meter (PN 365 603).

DRUM TROLLEYS

431 000



TROLLEY FOR 50 KG (120 LB) DRUMS

431 000 Trolley for 50 and 20 kg drums

Four wheeled trolley with tubular frame for 50 and 20 kg drums. The drum is fixed to the trolley with two height adjustable hooks.

431 001 Trolley for 50 and 20 kg drums

Same as model 431 000, but with two rubber pads instead of the two front wheels.

432 000



TROLLEY FOR 185 KG (440 LB) DRUMS

432 000, 185 kg drum heavy duty trolley

Trolley with two solid rubber wheels and one rubber swivelling wheel with brake. A hose reel or a pump can be mounted using optional brackets.

360 134 Pump bracket

For trolley 432 000. Requires wall bracket 306 102 for fixing an air operated pump.

360 135 Hose reel bracket

For trolley 432 000.

432 814



HEAVY DUTY TROLLEY FOR 185 KG (440 LB) DRUMS

432 814, 185 kg drum heavy duty trolley

Heavy duty trolley with two Ø 260 mm tyred wheels and one solid rubber swivelling wheel with brake. Includes an adjustable chain for securing the drum and a bracket mounted on the handle for fixing an air operated pump (requires bracket 360 102). A hose reel can also be mounted using optional bracket (360 113).

360 113 Hose reel bracket

For trolley 432 814.

430 000



TROLLEY FOR 20 KG (44 LB) PAILS

430 000 Trolley for 20 kg pails

Two wheeled trolley with tubular frame for 50 and 20 kg drums. The drum is fixed to the trolley with one height adjustable hook.

485 120



DRUM DOLLIES

485 120 Adjustable drum dolly, 205 litres

Dolly for drums with diameter Ø 400 - 600 mm, with three adjustable drum clamps and three swivelling castors (Ø 75 mm), one of them with brake.

485 000 Drum dolly 60 litres

Dolly for 60 litres drums, with three adjustable drum clamps and four swivelling castors (Ø 60 mm).

480 021



MOBILE PROTECTIVE DRUM CABINETS

480 050 Mobile protective drum cabinet, 50 litres**480 021 Mobile protective drum cabinet, 20 litres**